

IMPORTANT / TROUBLESHOOTING GUIDE

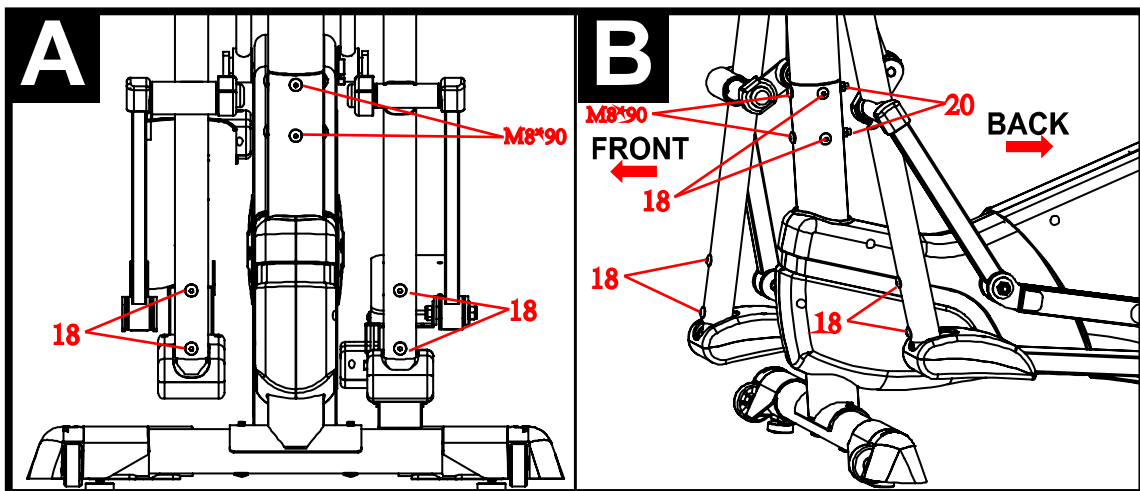
The VST item you received they have the pre-assembled Condition there is no need to do any assembly for the VST System –Main frame in the Box 1 and Top VST system Pack in the Box 2.

Please read the following important notice before put the Box 1 and Box 2 together.

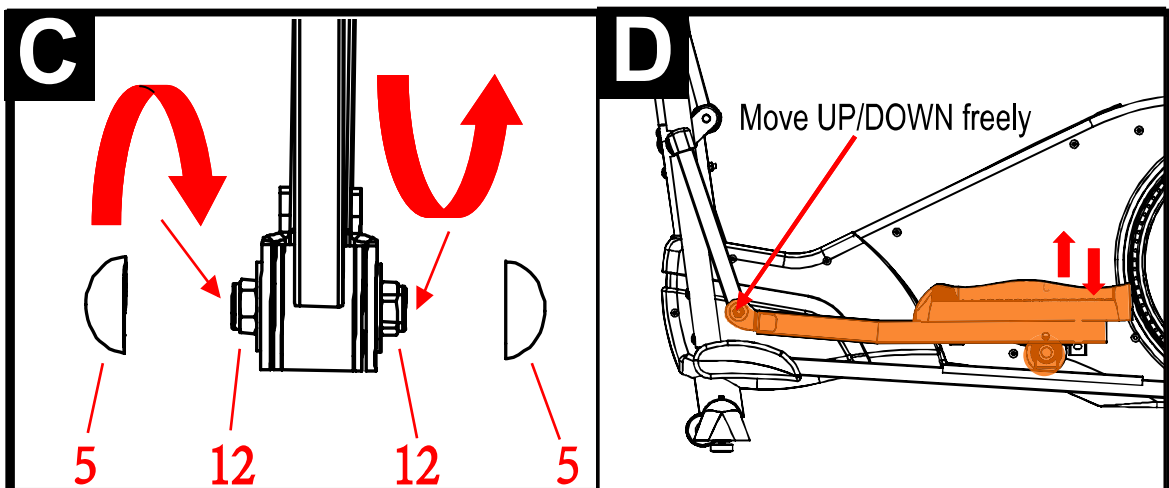
1. Box 2 with all VST system pre-assembled it is become Quiet heavy therefore, please arrange a partner to do/hold The top unit to assemble with Box 1-frame so can make sure Only one cable plug well connected between the Top/Bottom Frame firmly

2. Main assembly for putting the Box 1 & 2 are in the manual (Step 3 thru 7)

- A.** **important** with Step3 and 4 AS Drawing A & B / M8X90 long Screw direction – Nut (#20) must assembled at the back Side.
- B.** All the screw #18 total 8 pcs Must be use Finger tighten **NOT** totally tighten up Till Step 7 completed then tighten all at one time.



- C.** Second Step tube assembly—As drawing C & D In assembly part 12 , both 12 totally tightened then **MUST Release one of the part 12 half or more round to** make sure Second step tube #102 can move **UP / DOWN** freely.



IMPORTANT / TROUBLESHOOTING GUIDE

E: With Step 7 –as Drawing E shown Stand in front of unit ,Two hands hold Both handlebar To do the Roller Alignment action to make sure both PU Roller set in center of the Alum Rail –**VERY IMPORTANT** As mentioned in above a.– all the Screw #18 and Bolt M8 x 90 with Nut #20 must be with Finger tighten in loose so the Roller Alignment Action can be succeeded , if not, then the screw #18,#20 needs To loose more freely.
With the above a carefully handled unit will eventually be able to complete assembled and system will Runs very smooth.

