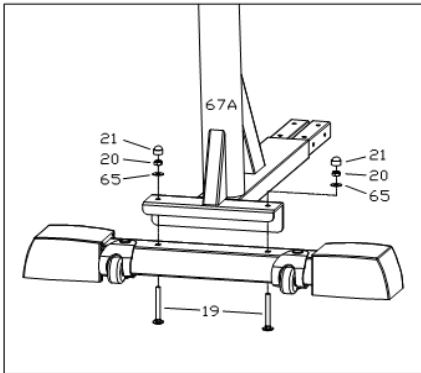


LX-03

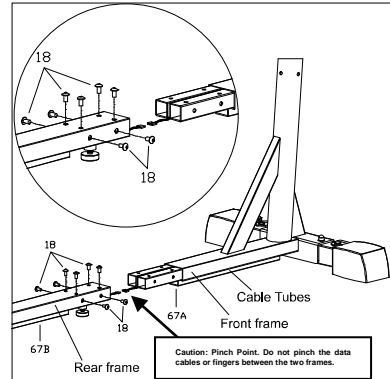
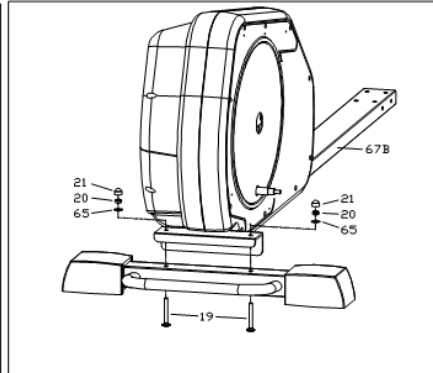
Dear User,

Due to many parts Pre-assembled in the factory some assembled Parts become quiet heavier we suggest having a partner to put the Item together with you be much easier.

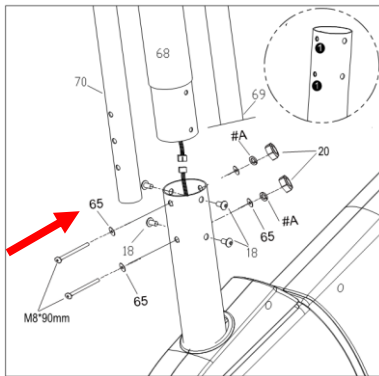
STEP 1



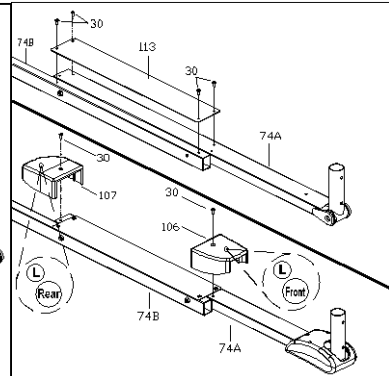
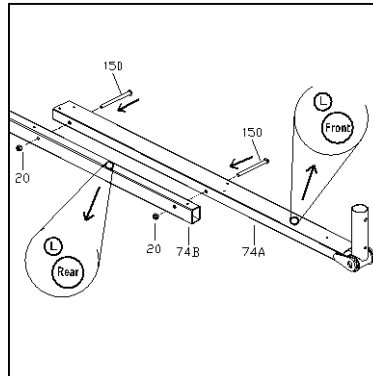
STEP 2



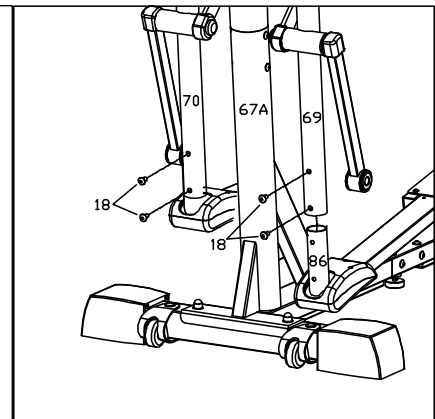
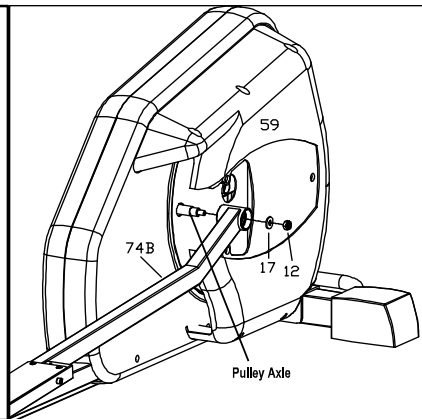
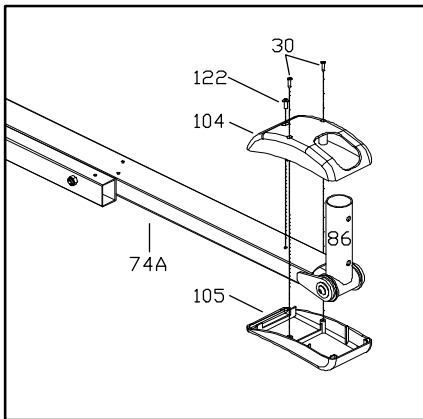
STEP 3



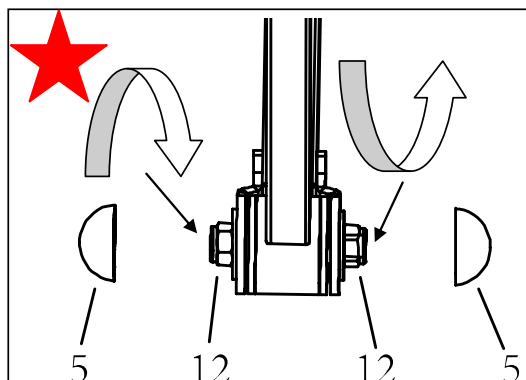
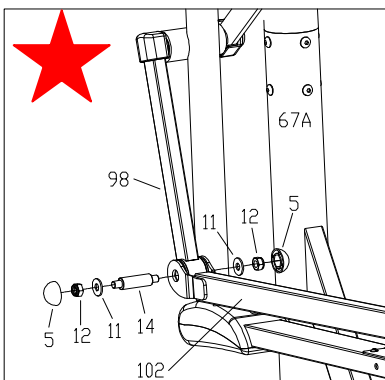
STEP 4



STEP 5



STEP 6



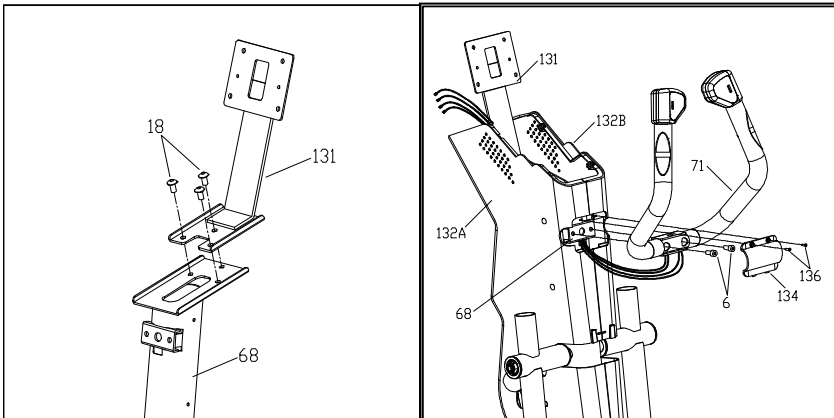
LX-03

STEP 7

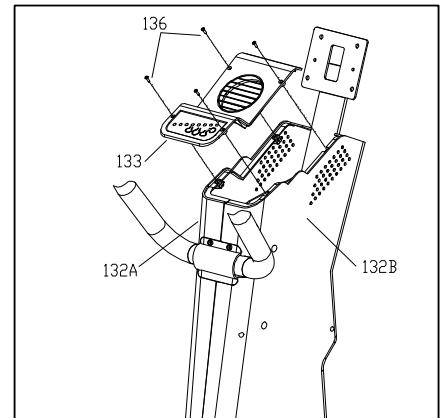


★ Very important to Read the detail in the instruction manual and do the right assembly

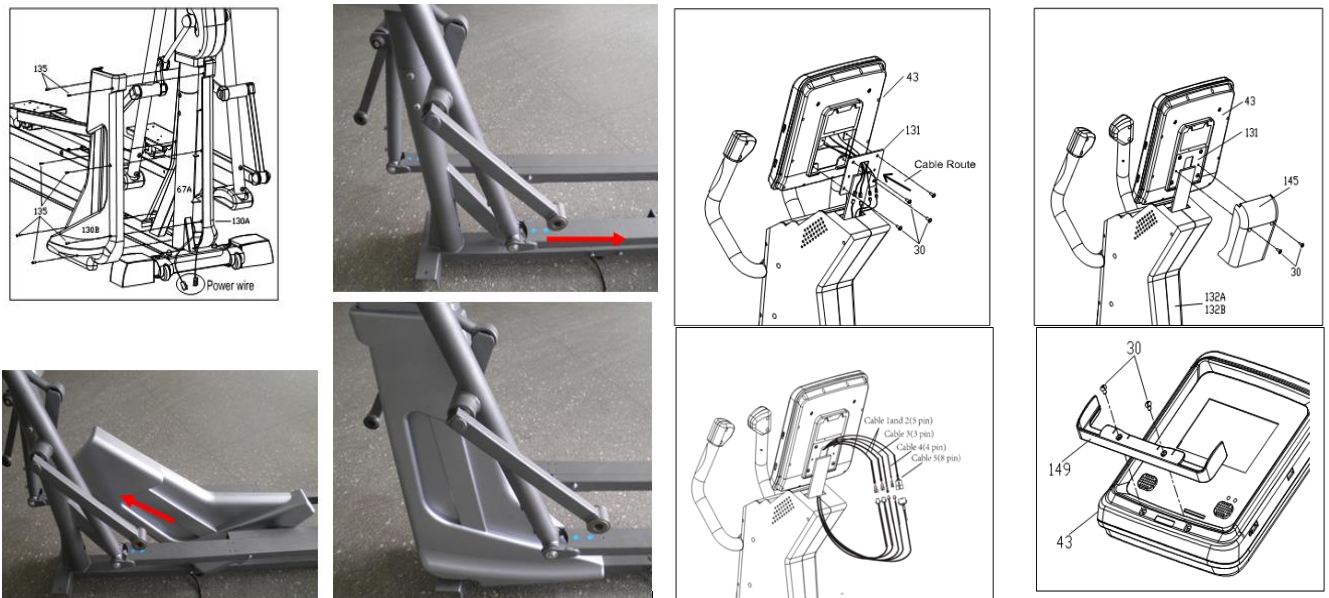
STEP 8



STEP 9

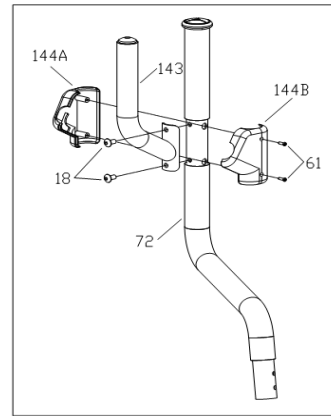
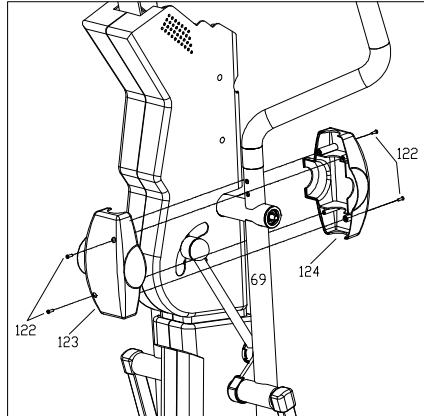
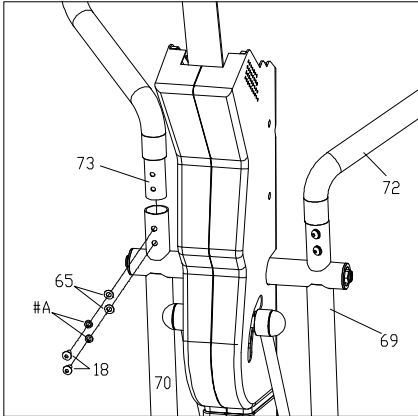


STEP 10

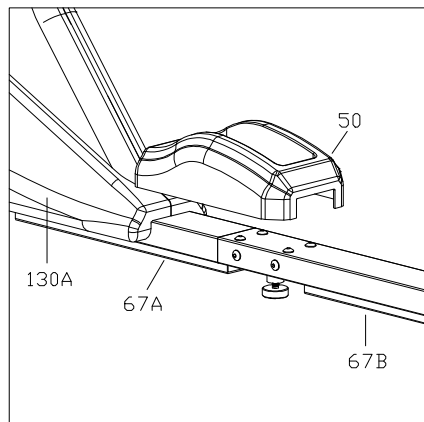
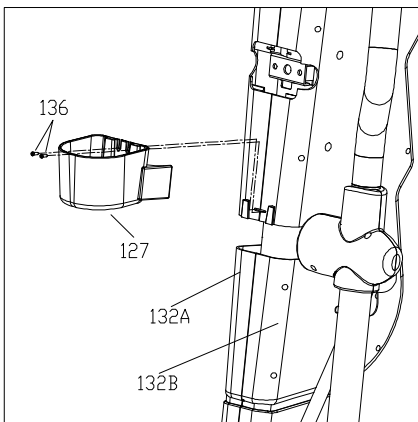


LX-03

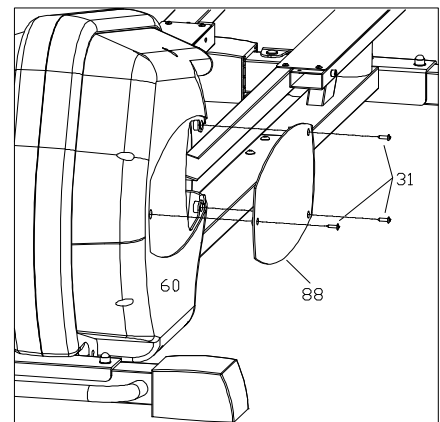
STEP 11



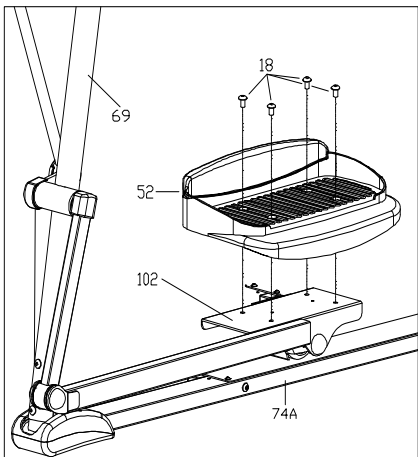
STEP 12



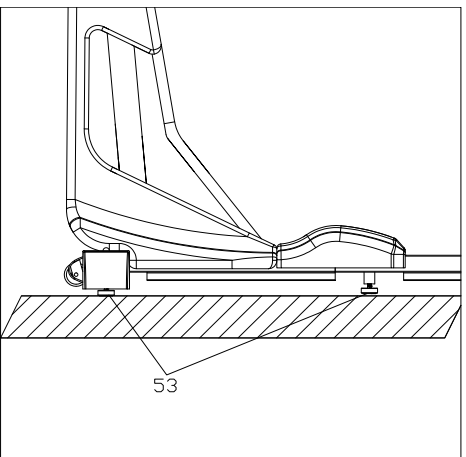
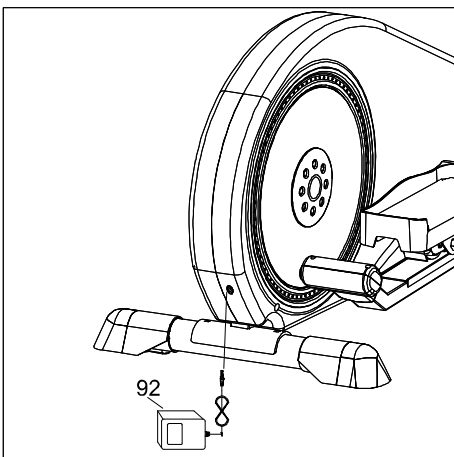
STEP 13



STEP 14



STEP 15



These are simple drawing to help to assemble the unit Detail of assembly please refer to the manual described.

For Customer Service
1-267-808-3999
Email: cs@go-elliptical.com