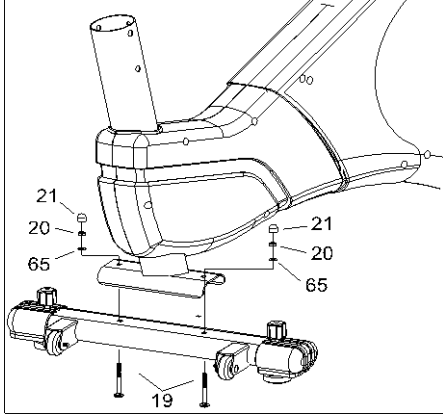


T-300MX / T-700MX

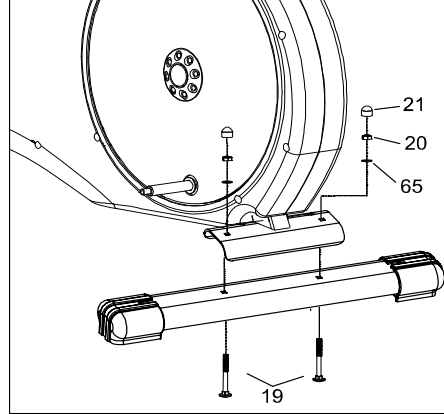
Dear User,

Due to many parts Pre-assembled in the factory some assembled Parts become quiet heavier, we suggest to have a partner to put the Item together with you be much easier.

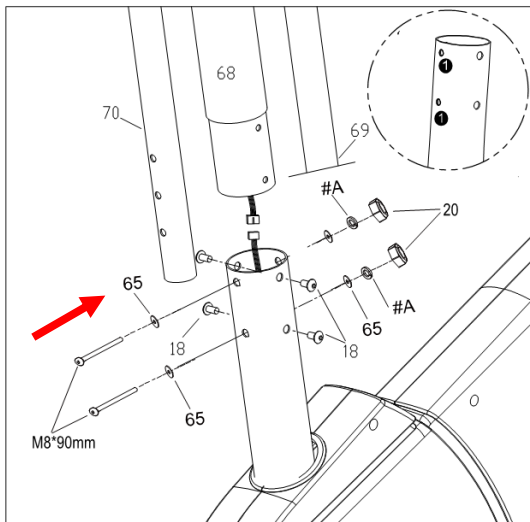
STEP 1



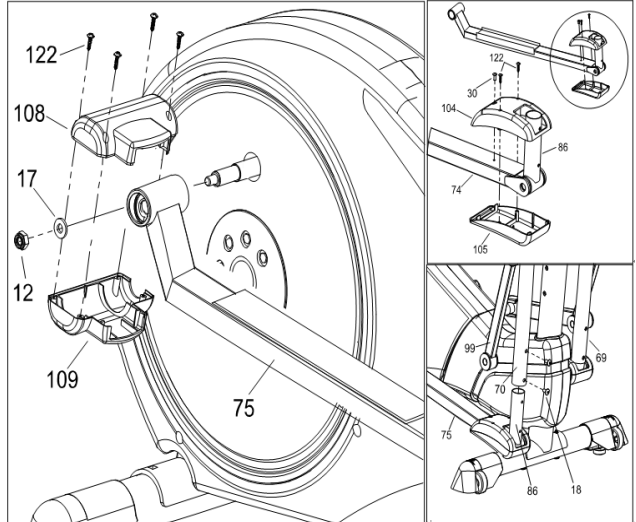
STEP 2



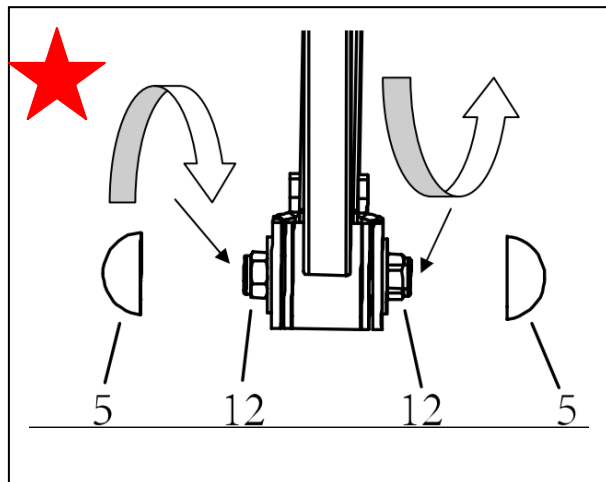
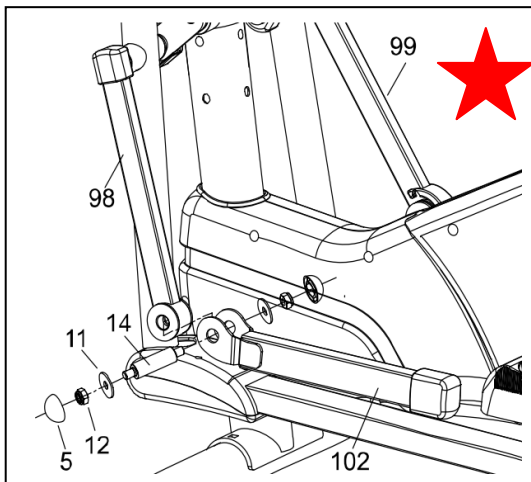
STEP 3



STEP 4



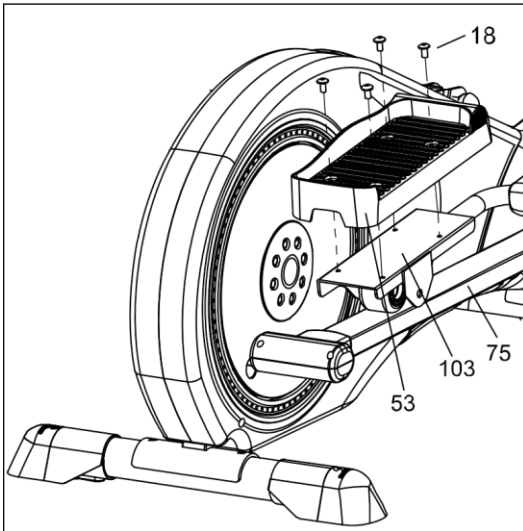
STEP 5



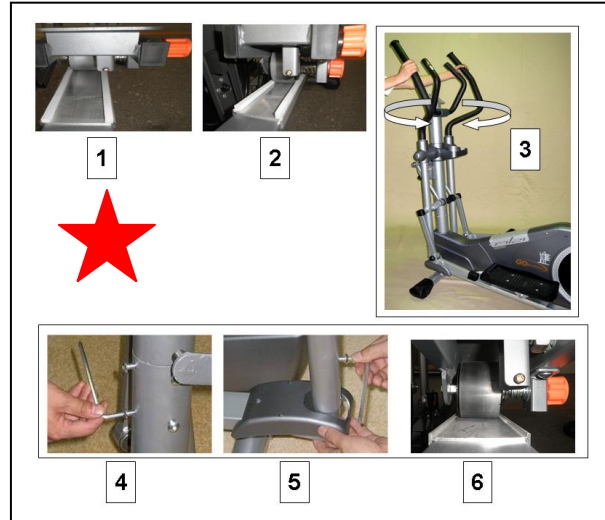
★ Very important to Read the detail in the instruction manual and do the right assembly

T-300MX / T-700MX

STEP 6

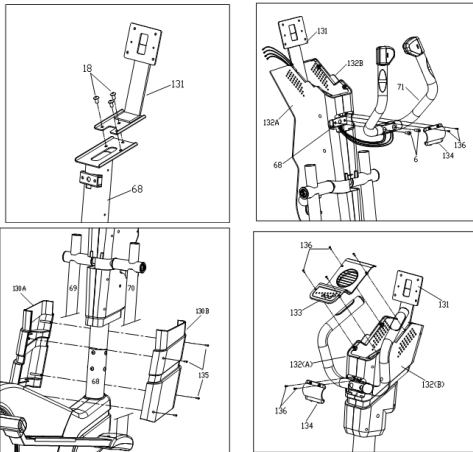


STEP 7

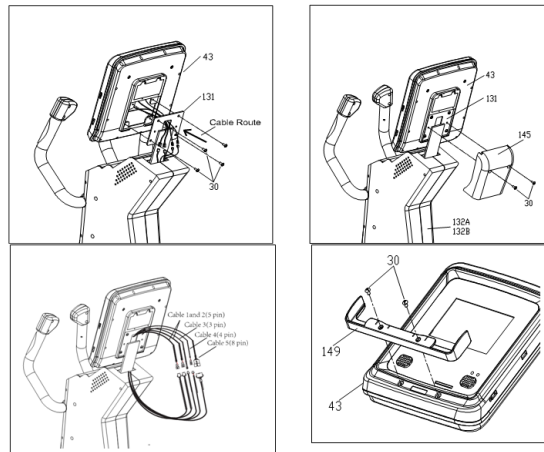


★ Very important to Read the detail in the instruction manual and do the right assembly

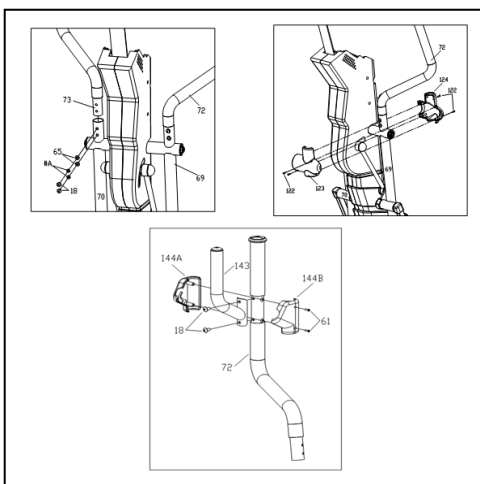
STEP 8



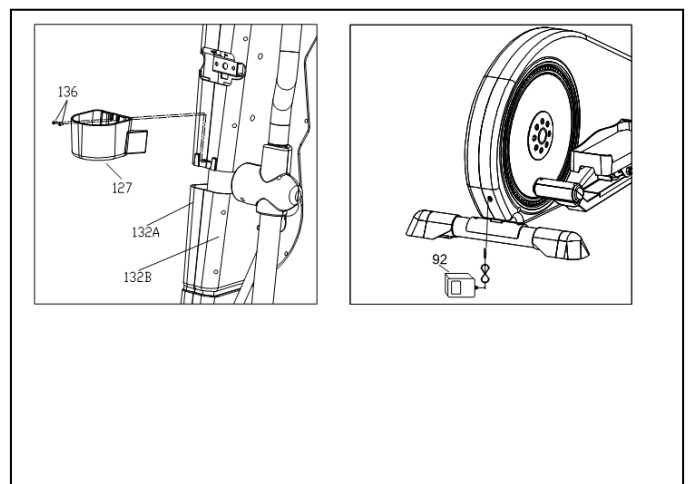
STEP 9



STEP 10



STEP 11



These are simple drawing to help to assemble the unit Detail of assembly please refer to the manual described.

For Customer Service
1-267-808-3999
Email: cs@go-elliptical.com